

Stock Code: **62349LEDDL-P-BWA**

Collection: Tyne

### PRODUCT INFORMATION

Base: 62349 Parent: 62349LEDDL-P  
Mounting Type: Wall UPC: 641594252460  
Finish: Black with Antique Brushed Brass  
Diffuser: N/A

### PRODUCT MEASUREMENTS

FIXTURE**	BACKPLATE / CANOPY**
Length:	Length 5"
Width: 4.5"	Width: 4.5"
Diameter	Diameter:
Height: 21"	Height: .75"
Extension: 3.75"	
Overall Height:	

### TECHNICAL SPECIFICATIONS

#### SPECIFICATIONS

Frame Material: Steel  
Diffuser Material: N/A  
Lamping Type: E-26 (Replaceable LED Jbox: Standard  
Lamping Base: E-26 Lamp Wattage: 4 W  
Lamp Quantity: 2 Total Wattage: 8 W  
Voltage: 120v Lamps Included: Yes

#### QUALIFICATIONS

Location Rating Damp  
Certification: ETL (US/Canada) Listed  
ADA Compliant: Yes Energy Star: No  
JA8 Compliant: No Emergency Lighting: No  
Marine Grade Finish: No  
Warranty\*\*: 1 Year

#### PHOTOMETRICS

Dimmable: Yes Nominal Lumens: 600 Lm  
CRI: 90 Delivered Lumens: N/A  
CCT: 2700K  
Recommended Dimmers:  
(TRIAC)LUTRON Ariadni/Toggler TGCL-153P; (ELV)LEVITON  
Decora DSE06-10Z; (ELV)LUTRON Maestro CL MACL-153M;  
(ELV)LUTRON Skylark Contour CTCL-153P; (TRIAC)LEVITON  
Decora Sureslide 6674; (TRIAC)LUTRON Skylark CL SCL-153  
or SCI -153P

#### ADDITIONAL NOTES

Project Name: \_\_\_\_\_

Location: \_\_\_\_\_

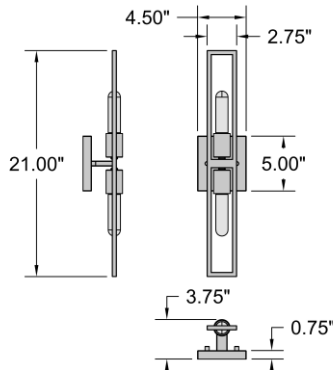
Type: \_\_\_\_\_

Quantity: \_\_\_\_\_

Notes: \_\_\_\_\_



#### LINE DRAWING



#### IES FILE

In addition to Access Lighting's purchase and warranty terms and conditions, by signing below or placing an order, you agree that you are authorized to bind the entity placing any order and acknowledge the following: All of sizes and measurements are approximate and all images are for illustrative purposes only. In the event of an inconsistency, the "Product Measurements" section controls. There also may be slight differences in the colors and designs compared to the displayed and printed images.

Signature: \_\_\_\_\_

Print Name \_\_\_\_\_ Date: \_\_\_\_\_

Toll Free 800-828-5483 [www.AccessLighting.com](http://www.AccessLighting.com)

301 Piedmont Grove Park, Suite A, Greenville, SC 29611



\*\* NOTE: All measurements are rounded up to the 1/4 inch. There is no warranty on any replaceable bulbs, even if included with the fixture.

Copyright Access Lighting Corp. All information is subject to change without notice.

5/29/2024

62349LEDDL-P-BWA.pdf