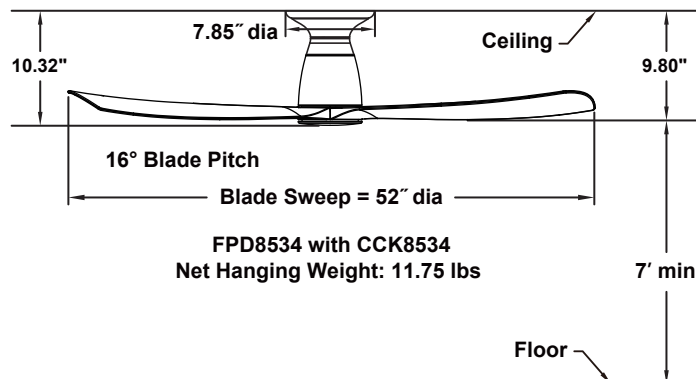
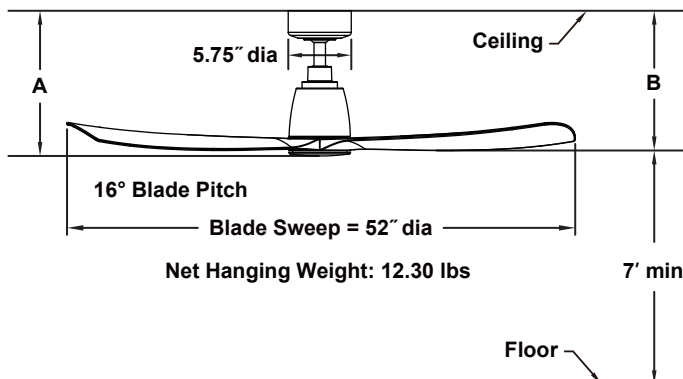


KUTE™ 52**FPD8534******52" Ceiling Fan****INSTALLATION REQUIREMENTS:**

Fan must be attached to a securely anchored electrical junction box capable of withstanding a load of at least 35 lbs.

ELECTRICAL REQUIREMENTS:

Requires a grounded electrical supply line of 120 volts AC, 60 Hz, 15 amp circuit.

MOTOR SPECS:

100 x 30 sensorless DC motor is designed for optimal performance with this fan.

BLADES:

A set of three 25" composite blades is included.

CONTROL OPTIONS:

A WiFi receiver and TR305 hand-held remote control are included. Push button remote control with 16 fan speeds, fresh air, reverse, ON/OFF dimmer light levels, CCT Select (correlated color temperature selection), fan/light timer, home away, safe exit and off button. Visit the Apple APP Store or Google Play Store to download the free fanSync WiFi APP and create your Fanimation fanSync account. Optional TW306 wall control is available — sold separately. Instructions are provide with each control.

LIGHTING OPTIONS:

LK8534, LK8560 and LK8561

- One 16-watt CCT LED (Warm/Natural/Cool).

DOWNROD OPTIONS:

Fan comes with a 1" dia. x 4.5" long downrod. Optional downrods are available in 12", 18", 24", 36", 48", 60" and 72" lengths. A downrod coupler is available for installations requiring a downrod longer than 72". Fan can be mounted on a sloped ceiling up to 27°. Most sloped ceiling installations require a standard 18" downrod or longer downrod. Optional sloped ceiling ball kits (SCB1-52) are available for slope angles greater than 27° and up to 42°. Optional close-to-ceiling kit (CCK8534) is available as well — sold separately. Call technical support for more information.

LOCATION USE:

Fan is rated for dry and damp locations. This fan is for room up to 400 sq ft.

| | A | B |
|--------------------|--------|--------|
| Fan w/4.5" downrod | 13.10" | 12.58" |
| Fan w/12" downrod | 20.60" | 20.08" |
| Fan w/18" downrod | 26.60" | 26.08" |
| Fan w/24" downrod | 32.60" | 32.08" |
| Fan w/36" downrod | 44.60" | 44.08" |
| Fan w/48" downrod | 56.60" | 56.08" |
| Fan w/60" downrod | 68.60" | 68.08" |
| Fan w/72" downrod | 80.60" | 80.08" |

| Available Finishes | |
|--------------------|---|
| AGP | Antique Graphite with Light Oak Blades |
| BL | Black with Black Blades |
| BN | Brushed Nickel with Brushed Nickel Blades |
| BS | Brushed Satin Brass with Matte White Blades |
| BSBL | Brushed Satin Brass with Black Blades |
| DZ | Dark Bronze with Dark Walnut Blades |
| GR | Matte Greige with Weathered Wood Blades |
| MW | Matte White with Matte White Blades |

| Airflow / Energy Efficiency Info (120V) | | | | | |
|---|---------|------|-------------|------|-------|
| Fan Speed | Max RPM | CFM | CFM / Watts | Amps | Watts |
| High (16 th) | 171 | 6701 | 186 | 0.55 | 36 |
| Med (9 th) | 107 | 4112 | 480 | 0.14 | 9 |
| Low (1 th) | 29 | 917 | 445 | 0.05 | 2 |

| Energy Guide FTC | | | |
|---------------------------|--|-----------------------------------|--------------------------------|
| Power (W _{ave}) | Total Air Delivery (CFM _{ave}) | Estimated Yearly Energy Cost (\$) | Ceiling Fan Efficiency (CFM/W) |
| 22 | 4873 | 6 | 217 |